



DATA SHEET

transducers

DRCA 1 CT 070

Transducers for DRCA 1 residual current analysis system

Article number 09352052



[Internetlink](#)



Function

Transducers in combination with evaluation units are suitable for measuring and/or analysing residual currents. The transducers of series DRCA 1 CT together with the DRCA 1 detection unit form a residual current analysis system. Other detection units cannot be operated with this type of transformer. The transformers have a wide detection frequency range.

Features

suitable for detecting residual currents from 10 Hz to 100 kHz, Rated currents up to 350 A, different internal diameters available for adjustment to the cable to be monitored, robust plastic housing, reverse polarity protected connection socket for measuring cable

Mounting

The devices are mounted on stable substrata using the supplied mounting brackets. any installation position

Applications

Transformers from series DRCA 1-CT are used in combination with DRCA 1 analysis system.

Notes

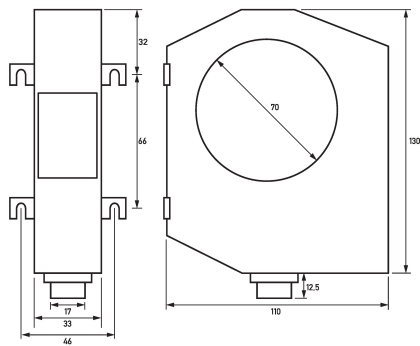
The measuring bushing transformer should be mounted in such a way that it measures within the immediate vicinity of the RCD in question.

Technical Data

Technical Data	DRCA 1 CT 070
Series	DRCA 1 CT 070
Current transformer specification	residual current transformer
Current transformer suitable for	DRCA 1
Residual operating current $I_{\Delta n}$	0 A ... 10 A
	transformer, primary side
Rated voltage (AC)	0 V ... 690 V
rated impulse withstand voltage	8 kV / Kategorie IV
Rated current	200 A
Rated frequency	10 Hz ... 100 kHz
	plug-in terminal (transformer output)
Protective cover available	true
max. Connection C1 cable length	3 m (ready-for-use)
	General data
Operating position	optional
max. Operating altitude above MSL	2000 m
Storage temperature	-40 °C ... 85 °C
Ambient temperature	-25 °C ... 65 °C
Housing type	wall-mounted housing
Installation type	Wall mounting

Technical Data	DRCA 1 CT 070
Housing material	polycarbonate (PC)
Protection class	IP20
sealable	true
Width	33 mm
Height	130 mm
Depth	110 mm
Width with lugs	45 mm
Height with lugs	130 mm
Depth with lugs	110 mm
Installation depth	110 mm
Inside diameter	70 mm
Design requirements/Standards	EN 61010-1, VDE 0411 Part 1

Dimensions



Dimensional drawing Group view