



symbolic image

## DATA SHEET

### DCT 035 B+

Article number 09340303



[Internetlink](#)



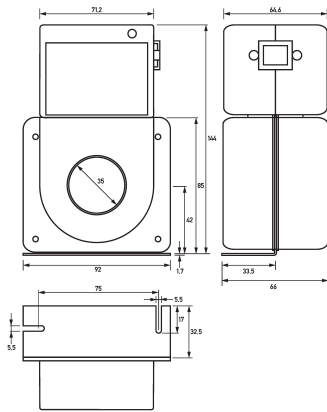
#### Accessories

cables DTCC, DMBT, connecting plugs DTCC

#### Technical Data

Technical Data	DCT 035 B+
Series	DCT 035 B+
Rated voltage (AC)	0 V ... 690 V
Rated current	125 A
Rated short-circuit residual current	10 kA
Connection design	female
max. Connection C1 cable length	10 m
max. Outer diameter Connection cable	23 mm
	General data
Storage temperature	-40 °C ... 85 °C
Ambient temperature	-25 °C ... 65 °C
Width	66 mm
Height	144 mm
Depth	92 mm
Installation depth	144 mm
Inside diameter	35 mm
Design requirements/Standards	EN 62020, VDE 0663, EN 60044-1, VDE 0414, VDE 0664-400

## Dimensions



Dimensional drawing Group view