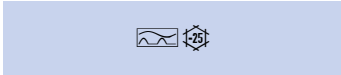




DATA SHEET
residual current transformer
MFIW 105/0,3
sensitive to pulsating and alternating currents Type A
Article number 09340205



[Internetlink](#)



Function

Residual current transformers in combination with evaluation units are suitable for the protection or monitoring of electrical circuits. The transformers have a large selection of opening cross-sections (rated currents). For this reason is it possible to protect and monitor electrical systems with large conductor cross-sections, i.e. with high currents and high voltages. Transformers form series MFIW combine with the MFR evaluation unit to form a modular residual current device (MRCD) as per VDE 0660-101. Residual current transformers with characteristic A detect sinusoidal AC currents as well as pulsating DC residual currents. The transformer covers all of the active conductors leading to the consumers and uses its output signal to illustrate the time curve of the sum of all conductor currents flowing through it. Its output signal is proportional to the residual current, which flows back to the earthing point of the supply mains via the protective earth conductor in the case of an insulation fault or via the earth.

Features

suitable for detecting type A and AC residual currents as well as pulsating DC residual currents , tightly stacked through-holes allow good adjustment to the cable to be monitored, rated residual current is determined by the selected transformer, terminals up to 4 mm²

Mounting

The devices are mounted on stable substrata using the supplied mounting brackets. any installation position

Applications

Transformers from series MFIW are used in combination with series MFR modular residual current devices.

Notes

The through-hole should be filled as much as possible with the cable to be monitored, so that it is centred in the transformer. Faulty tripping caused by the transformer being asymmetrical can therefore be avoided.

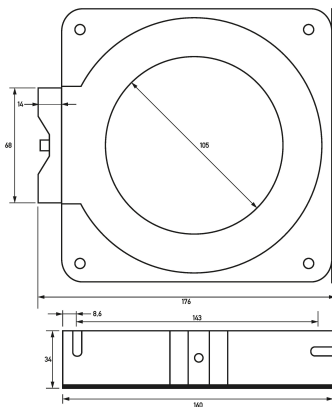
Technical Data

Technical Data	MFIW 105/0,3
Series	MFIW 105
Current transformer specification	residual current transformer
Current transformer suitable for	MFR
Residual current detection characteristic	A, AC
Residual operating current I _{Δn}	max. 0.3 A
	transformer, primary side
Rated voltage (AC)	0 V ... 690 V
rated impulse withstand voltage	8 kV / Kategorie IV
Rated current	250 A
Rated frequency	50 Hz ... 60 Hz
	transformer, secondary side
Rated current strength secondary	0.3 A
	screw-type terminal (transformer output)
Protective cover available	true
max. Connection C1 cable length	10 m (e. g. LiY 0.5 mm ²)

Subject to technical changes

Technical Data	MFIW 105/0,3
max. Outer diameter Connection cable	70 mm
Clamping area	max. 4 mm ²
Cross section flexible with ferrule	max. 0.6 mm ²
Tightening torque	max. 0.6 Nm
	General data
Operating position	optional
max. Operating altitude above MSL	2000 m
Storage temperature	-40 °C ... 85 °C
Ambient temperature	-25 °C ... 65 °C
Housing type	wall-mounted housing
Installation type	Wall mounting
Housing material	polycarbonate (PC)
Protection class	IP20
sealable	true
Width	34 mm
Height	160 mm
Depth	176 mm
Installation depth	176 mm
Inside diameter	105 mm
Design requirements/Standards	VDE 0660-101 Part M

Dimensions



Dimensional drawing Group view