

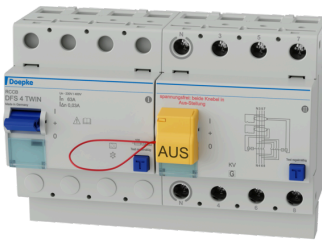
## DATA SHEET



### residual current circuit-breaker

#### DFS 4 063-4/0,03-A KV Twin

puls- und wechselstromsensitiv Typ A, kurzzeitverzögert,  
unterbrechungsfreie Prüfung

Article number 09144809



10000   KV/G

### Function

Residual current circuit-breakers (RCCBs) are components for implementing protective measure "Automatic disconnection of the power supply" as per VDE 0100 part 410 or corresponding international installation regulations. Series DFS 4 devices are compact two or four-pole residual current circuit-breakers. In the standard design, they only take up four module width units of space. Although DFS 4 devices for AC and pulsating DC residual currents are actually designed for three-phase networks, they can also be used in single-phase networks. However, in addition to these, special variants are also available for single or three-phase operation in the form of the AC/DC sensitive designs (type B, type B+). In spite of the compact dimensions, a number of different tripping currents and characteristics are available at rated currents, depending on the design, up to 125 A. They also have large two-tier terminals for large conductor cross-sections, a practical multi-functional switch toggle and can be provided with labels using free-of-charge software. The twin design is a combination of two complete RCCBs, which allows for a function test to be performed on every single sub-RCCB without switching off the load circuit. It provides complete residual current protection during the function test, in which each of the RCCBs working in parallel can carry the full rated short-circuit current. The continual flow of current during the test procedure is achieved through parallel switching of the switching contacts of both sub-RCCBs, i.e. when both RCCBs are switched on, one of the two sub-switches can be tripped using its test key, while the second switch takes on the power supply. If the function test shows that a faulty RCCB does not trip, the effectiveness of the protection can be restored by switching on the intact RCCB. A faulty device can be secured against switching on again in this case with the restart interlock WES 2 mounted at the factory. Type A residual current circuit-breakers are sensitive to pulsating and alternating currents. This function is independent of the mains voltage. Because they feature a response delay, residual current circuit-breakers in the KV design only respond to residual currents that last longer than a half-period of the power frequency. In contrast to instantaneous breakers, they are significantly less sensitive to brief impulse-like residual currents and facilitate problem-free operation, even when lightning or switching overvoltage in the system causes capacitive surge residual currents or insulation flashovers with a secondary current up to the zero point of the mains voltage. They therefore meet the requirements for lightning-resistant RCCBs as per Austrian standard ÖVE E 8601. The tripping times set out in national and international design regulations for instantaneous RCCBs are also observed by the KV design devices. In principle, therefore, they may be used instead of a standard breaker.

### Features

function test for residual current circuit-breaker without interrupting power, residual current protection complies with standard even during testing procedure, no costs during system downtime, high system availability, high immunity against surge currents and mains-voltage-operated secondary current impulses, tripping not dependent on mains and auxiliary voltage, sensitive to AC residual currents and pulsating DC residual currents (type A), compact design for all rated currents, high short-circuit resistance, double-sided two-tier terminals for large conductor cross-section and busbar, switch position indicator, viewing window for labels, multifunction switch toggle with three positions: "on", "off" and "tripped"

### Mounting

quick fastening to mounting rail, any installation position, supply from any direction

### Applications

Power supplies to residential and purpose-built building as well as industrial facilities with TN-S, TT and TN-C-S networks, in which conventional RCCBs trip following transient leakage currents and this is not desired, such as in systems with long cable lengths behind the RCCB, lighting systems with lots of fluorescent lamps (> 20 lamps), computer systems and solar power systems, The twin design allows regularly prescribed function tests to be performed without disconnecting the power, Excluded is the application in TN-C systems and for the protection of installations in which electronic equipment could generate smooth DC currents or residual currents with frequencies other than 50 Hz.

### Notes

WES 2 restart interlock mounted at factory

### Accessories

terminal caps KA, information stickers HAS, auxiliary switches DHi, restart locks DFS WES, software DBS

Subject to technical changes

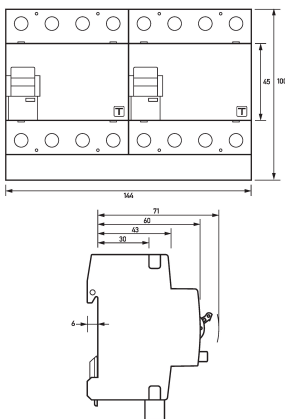
Technical Data

Technical Data	DFS 4 063-4/0,03-A KV Twin
Series	DFS 4 A KV Twin
Number of poles	4
Residual current type	A
Rated current (AC)	63 A
Rated residual current I $\Delta$ n	0.03 A
Short-time delayed	true
Selective	false
min. Operating voltage range of test circuit	250 V
max. Operating voltage range of test circuit	440 V
Non-trip time	10 ms
	<b>load circuit</b>
Specification	load disconnect contact
Number	2
min. Contact opening	4 mm
Rated voltage (AC)	230 V, 400 V
Rated current (AC)	63 A
Rated short-circuit current	10 kA
Surge current strength	3 kA
max. Total rated switching capacity	630 A
Rated impulse withstand voltage	4 kV
Rated frequency	50 Hz
Current heat loss per current path	3.1 W
Thermal Backup-fuse OCPD	63 A
Short-circuit backup-fuse SCPD	100 A
Back-up fuse type	gG
	<b>screw-type terminal top and bottom (load circuit)</b>
Neutral conductor position	left
Protection against direct contact	DGUV V3, VDE 0660-514, finger and back-of-hand proof
Connection C1 Maximum number of conductors per terminal	2 (conductors of same type and cross-section)
Cross section solid	1-wire: 1.5 mm <sup>2</sup> ... 50 mm <sup>2</sup> ; 2-wire: 1.5 mm <sup>2</sup> ... 16 mm <sup>2</sup>
Connecting capacity flexible	1-wire: 1.5 mm <sup>2</sup> ... 50 mm <sup>2</sup> ; 2-wire: 1.5 mm <sup>2</sup> ... 16 mm <sup>2</sup>
Cross section stranded	1-wire: 1.5 mm <sup>2</sup> ... 50 mm <sup>2</sup> ; 2-wire: 1.5 mm <sup>2</sup> ... 16 mm <sup>2</sup>
Cross section AWG, solid	15 ... 1
Cross section AWG, stranded	15 ... 1
Cross section AWG, flexible	15 ... 1
Cross section AWG, flexible with ferrule	15 ... 1
Tightening torque	2.5 Nm ... 3 Nm
	<b>General data</b>
Operating position	optional
max. Operating altitude above MSL	2000 m
Mechanical endurance	min. 5000 cycles
Electrical endurance	min. 2000 cycles

Subject to technical changes

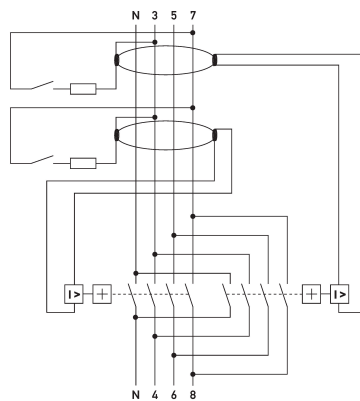
Technical Data	DFS 4 063-4/0,03-A KV Twin
Storage temperature	-35 °C ... 75 °C
Ambient temperature	-25 °C ... 40 °C
Climate resistance	according to IEC 60068-2-30: humid heat / cyclic (25 °C / 55 °C; 93 % / 97 % RH)
Shock resistance	20 g / 20 ms Duration
Fatigue limit	> 5 g (f ≤ 80 Hz, duration > 30 min.)
Housing type	distribution board housing
Installation type	Mounting rail (35 mm)
Housing material	thermoplastic
Protection class	IP20 (installed: IP40)
sealable	true
Width	144 mm
Height	100 mm
Depth	77 mm
Installation depth	69 mm
Module widths	8
Weight	0.859 kg
Design requirements/Standards	VDE 0664-10, DIN EN 61008-1
Degree of pollution	2

**Dimensions**



Dimensional drawing Group view

**Wiring example**



Wiring diagram